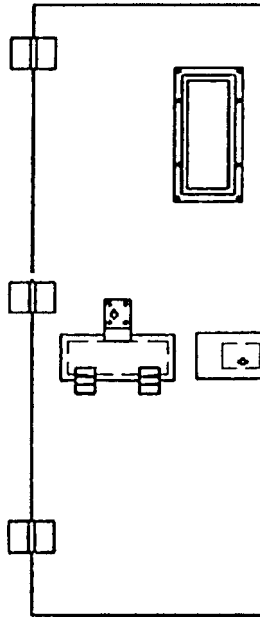




Total
Detention Equipment
Manufacturing & Engineering
Services

Product Catalogue
And
Specifications

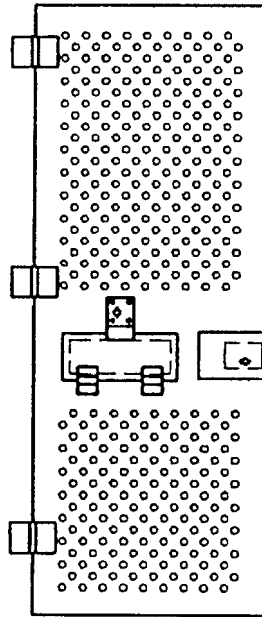


HEAVY DUTY-STEEL DOOR

The main frame is fabricated from 2 x 1 x 3/16 inch steel channel on all 4 edges (doors with lock box shall have 2 1/2 inch steel bar on lock edge and steel channel on the rest of perimeter). 2 x 1 x 3/16 steel channel stiffener shall be extended horizontally full width of the door in 4 locations minimum. The main frame is welded to 1/8 inch thick single sheet steel panel; plug weld the other panel to framing. The door is fully insulated. Preparation for hardware, food passes, observation panels and other accessories as required.

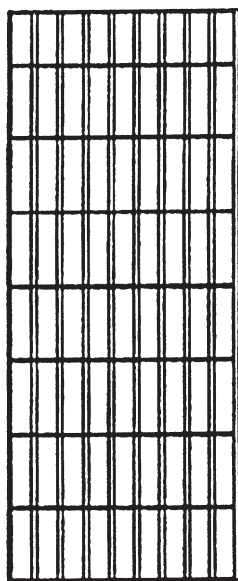
HEAVY DUTY DOOR FRAME

The frame is fabricated from 3-sided structural channel (6 or 8 inch) with 1 1/2 x 3/4 inch steel bar stop plug welded to channel. The frame is provided with 2 x 1/4 inch x 8 inch long anchors (4 per jamb) adjustable for masonry type walls and fixed for concrete wall. 1 clip angle is provided to the back bottom of each jamb for floor anchoring.



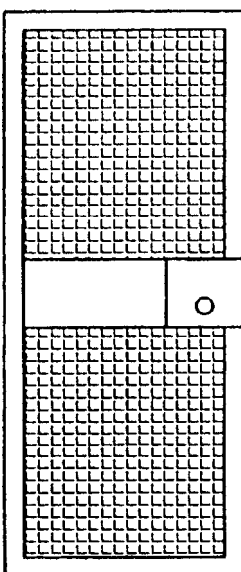
PERFORATED PLATE DOOR

Doors are fabricated from 3/16 perforated plate face welded to 2 x 2 x 3/16 mild steel reinforcing tube at edges and mid point where required. Reinforcement for food passes, accessories, hinges and lock pockets as required.



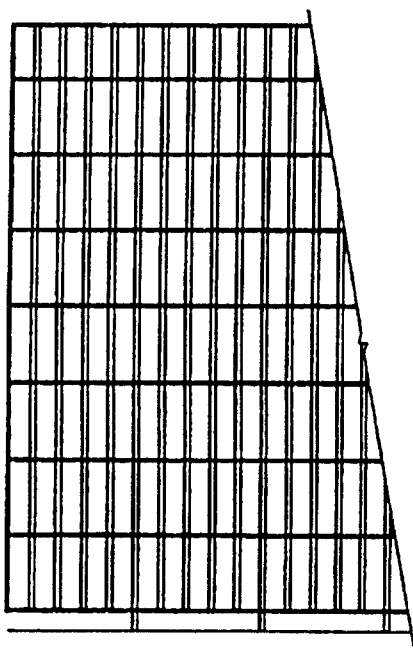
GRATING DOOR

The grate door is fabricated from mild steel (tool resistant optional) 7/8 inch diameter double ribbed round bars spaced 4 inches on center. Vertical and horizontal flat framing bars and horizontal intermediate interlocking flat bars spaced 12 inches on center complete the assembly. The vertical round bars are positively interlocked at each intersection of horizontal bars. The vertical round bars pass through and securely attach to the top and bottom horizontal framing bars. Lock pockets, food passes or other accessories as required.



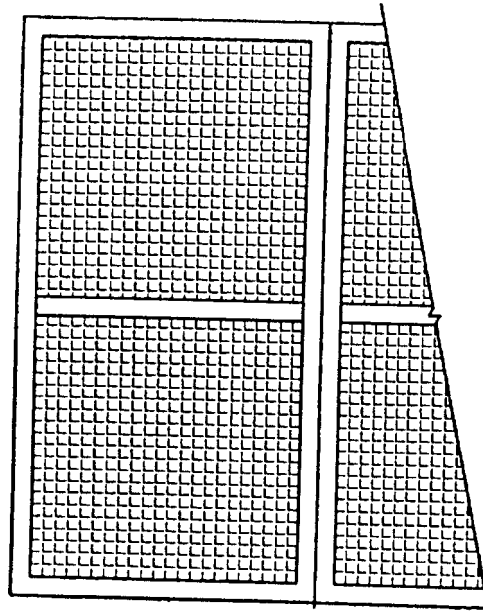
GUARD SCREEN DOOR

Doors are fabricated from tubular 12 GA mild steel main frames, and 3/8 inch diameter by 2 inch on center double crimped woven rod panels. Concealment plates of 12 gauge mild steel are welded to the framework. Lock pockets, food passes or other accessories as required.



Grating wall

The grate wall is fabricated from mild steel (tool resistant optional) 7/8 inch diameter double ribbed round bars spaced 4 inches on center. Vertical and horizontal flat framing bars and horizontal intermediate interlocking flat bars spaced 12 inches on center complete the assembly. The vertical round bars are positively interlocked at each intersection of horizontal bars. The vertical round bars pass through and securely attach to the top and bottom horizontal framing bars. Reinforcement for food passes, accessories, lock pockets as required.



GUARD SCREEN WALL

Guard screen walls are fabricated from tubular 12 GA mild steel main frames with 3/8 inch diameter by 2 inch on center double crimped woven rod panels. Concealment plates of 12 gauge mild steel are welded to the framework. Guard screen is attached to masonry or concrete walls with standard anchors.

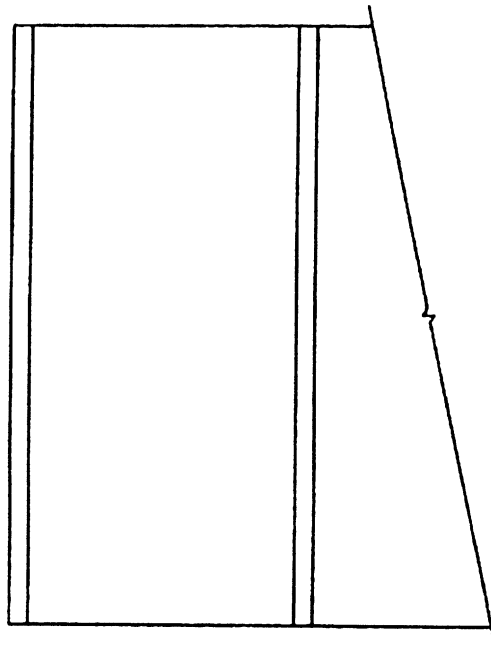
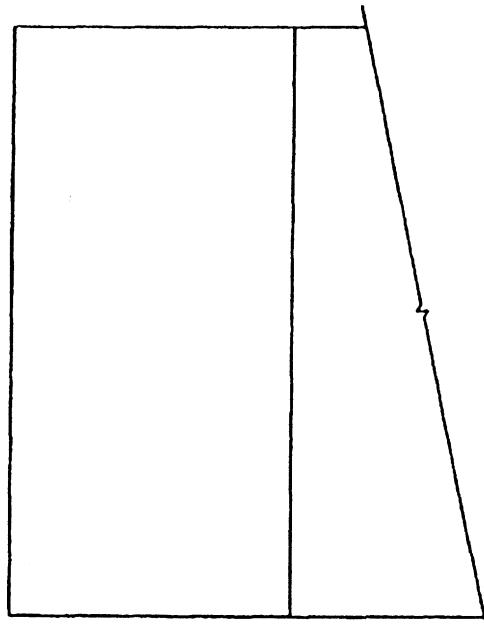


PLATE WALL

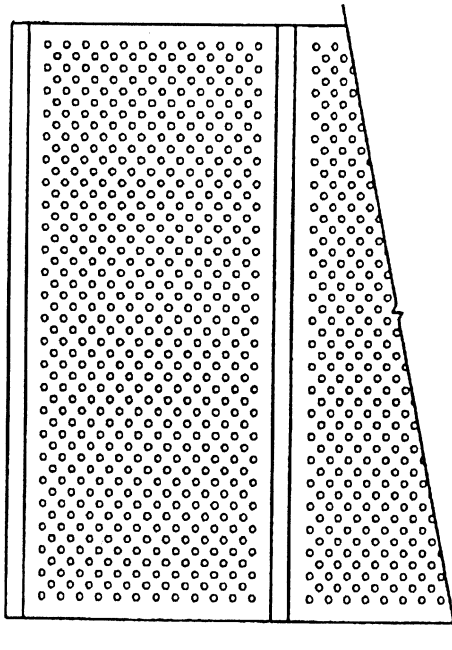
Steel plate walls are fabricated from 3/16 inch thick mild steel plate with integral or attached stiffeners as required. Openings for wall accessories are factory prepared where feasible. Other openings are field cut to accommodate project requirements. Steel trim and supports are provided at the floor, ceiling and intermediate seams. All together to provide a secure assembly.

Note: ceiling pans are constructed similarly.



HEAVY DUTY STEEL WALL

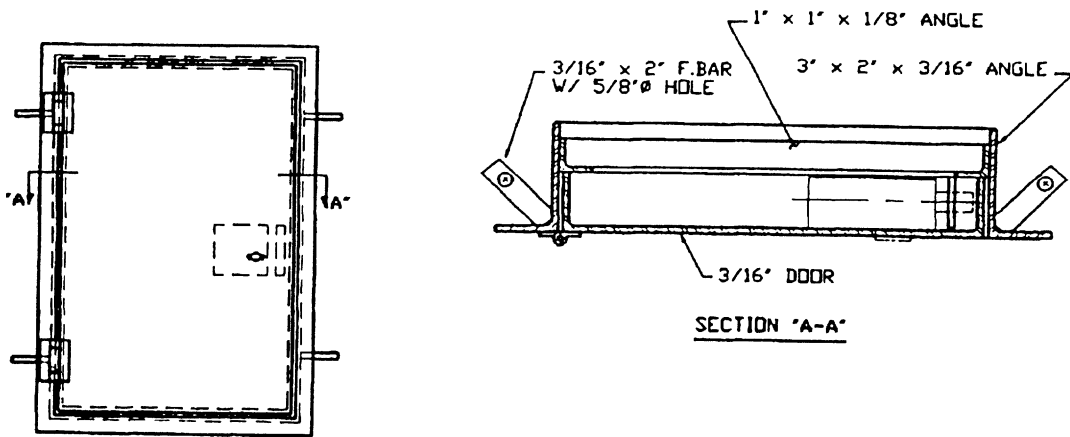
Heavy duty steel wall panels are fabricated from 10 GA mild steel skins on 2 x 1 x 3/16 channel internal reinforcing and sound insulation. Finished wall is approximately 2 1/4 inches thick panels are designed to accept a compliment of accessories and door applications. Heavy duty wall panels are designed and fabricated to suit requirements.



PERFORATED PLATE WALL

The perforated plate wall is fabricated from 3/16 inch thick steel perforated with 1/2 inch diameter holes spaced 1/4 inch on center horizontally and diagonally. Perforated plate panels are fabricated as single units where possible. Opening for wall accessories are factory prepared where feasible. Other openings are field cut to accommodate project requirements. Steel trim and supports are provided at the floor, ceiling and intermediate seams. All together to provide a secure assembly.

Note: ceiling pans are constructed similarly.

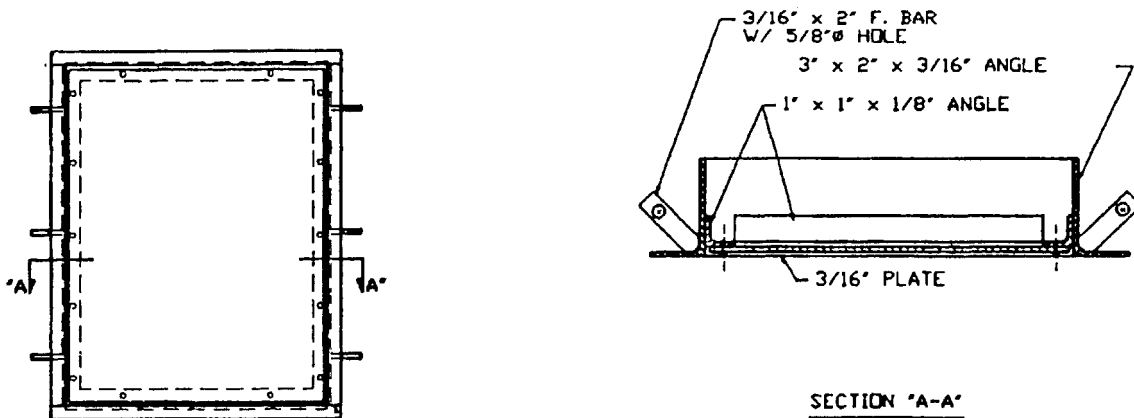


NO. 102 HINGED ACCESS PANEL

Size: as required

Fabricated from 3/16 inch mild steel plate with 1 3/4" flange all around, prepared for mech-lock and two #3 hinges

Frame: 3 inch x 2 inch x 3/16 inch mild steel angle



NO. 101 LIFT-OUT ACCESS PANEL

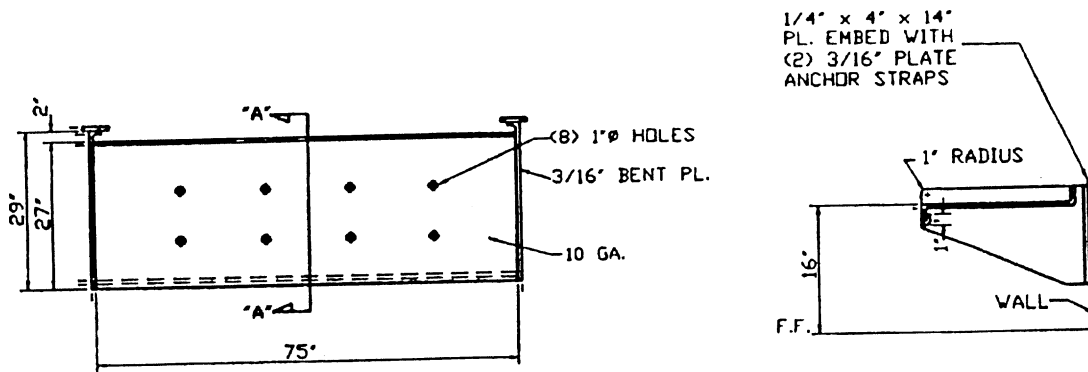
Size: as required

Fabricated from 3/16 inch mild steel plate

Frame: 3 inch x 2 inch x 3/16 inch mild steel angle

The panel will be fastened with button head security screws

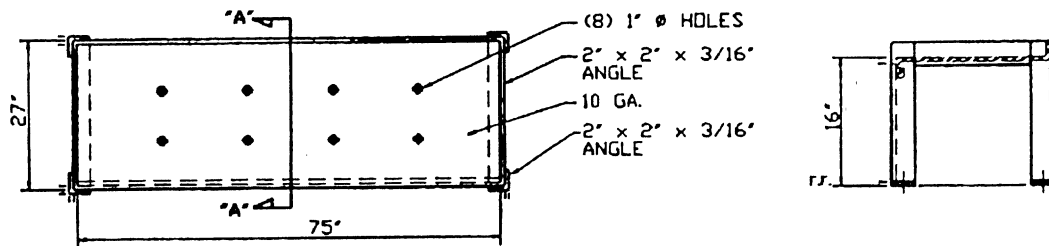
(Mech-lock is optional)



NO. 201 WALL MOUNTED BUNK

75 inch long x 27 inch wide pan, with a hemmed 2 inch turn down on front of bunk and 2 inch turn up at back of bunk. Fabricated from 7 GA mild steel. Perforated bottom with 8 holes uniformly spaced.

End brackets, 7 GA mild steel, securely welded to pan.

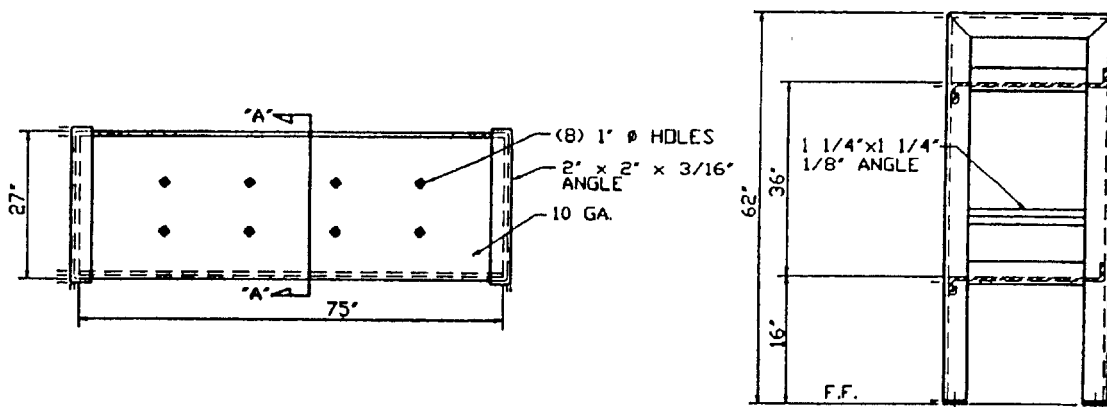


NO. 202 FLOOR MOUNTED BUNK

75 inches long x 27 inches wide x 16 inches high, with a hemmed 2
 Inch turn down on front of bunk and 2 inch turn up at back of
 Bunk.

Fabricated from 10 GA mild steel. Perforated bottom with 8 holes
 Uniformly spaced.

Legs 2 inch x 2 inch x 3/16 inch steel angles.



NO. 203 DOUBLE BUNK

75 inch long x 27 inch wide pan, with a hemmed 2 inch turn down

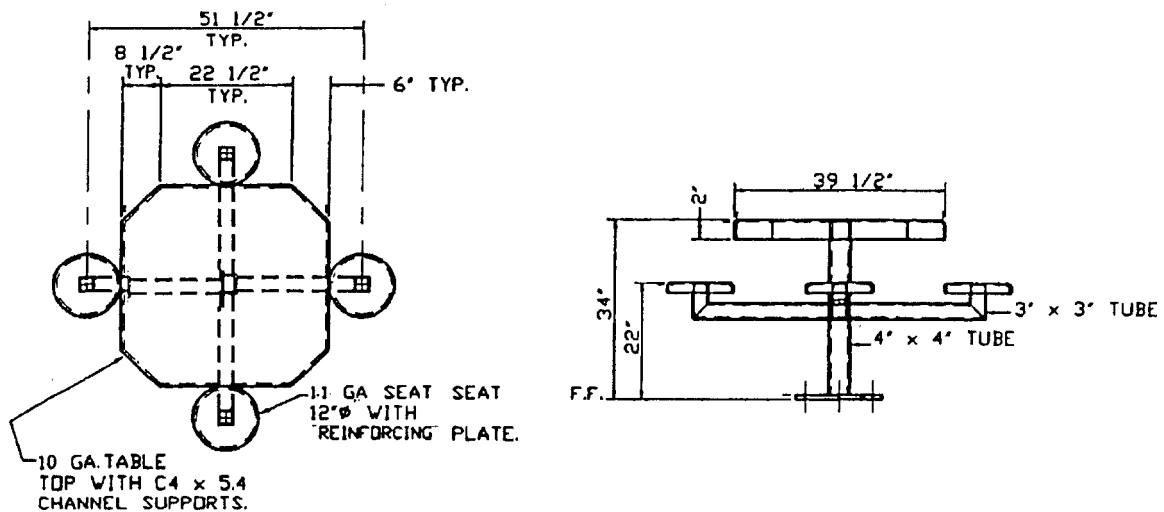
On front of bunk and 2 inch turn up at back of bunk. Bottom bunk

16 inches aff: upper bunk 52 inches aff.

Fabricated from 10 GA mild steel. Perforated bottom with 8 holes

Uniformly spaced.

Legs and braces 2 inch x 2 inch x 3/16 inch steel angles.



NO. 205 4-MFIN PEDESTAL TABLE

Table top: 39 1/2 inches wide x 39 1/2 inches long with corners cut, and 2 inch return down all 4 sides. Fabricated from 10 GA mild steel (s.s. optional) reinforced with C4 x 5.4 mild steel channel.

Table top support: 4 inch square steel tube, welded to 3/8 inch.

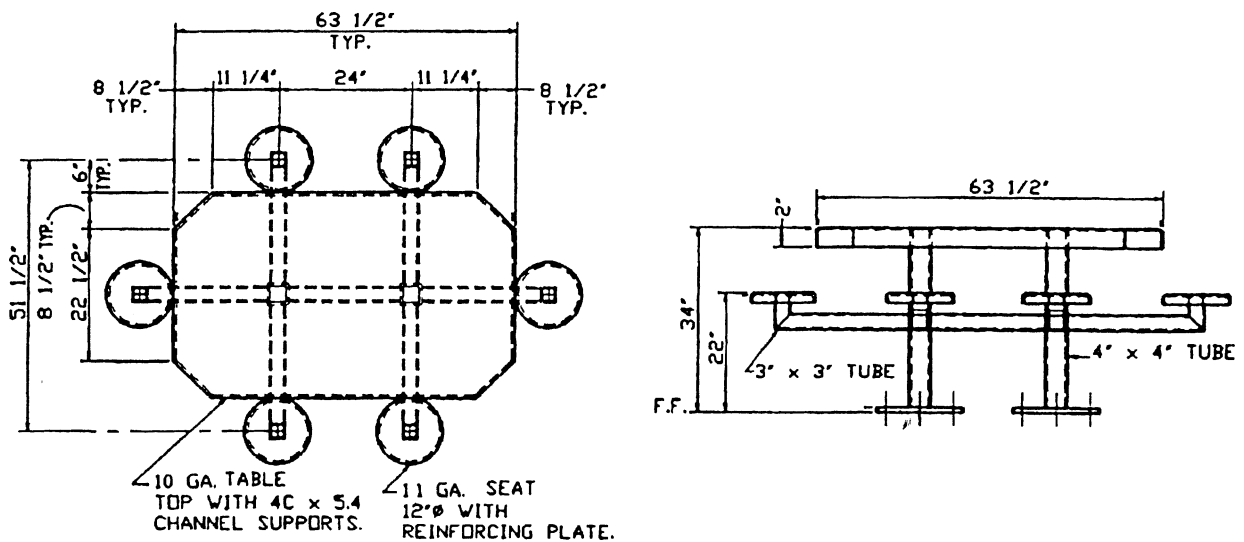
Thick base plate 18 inches square at center of table.

Seat supports: 3 inch square steel tubes, welded to table top support.

Seats: 12-inch diameter, with 1 1/4" return all around.

Fabricated from 11 GA mild steel (s.s. optional).

Base plates 3 inches x 16 inches x 3/8 inch mild steel.



NO. 206 6-MRN PEDESTAL TABLE

Table top: 39 1/2 inches wide x 63 112 inches long

With corners cut and 2 inch return down all 4 sides

Fabricated from 10 GA mild steel (s.s. optional) reinforced with C4 x 5.4 mild steel channel.

Table top supports: 4 inch square steel tubes, welded to 3/8 inch.

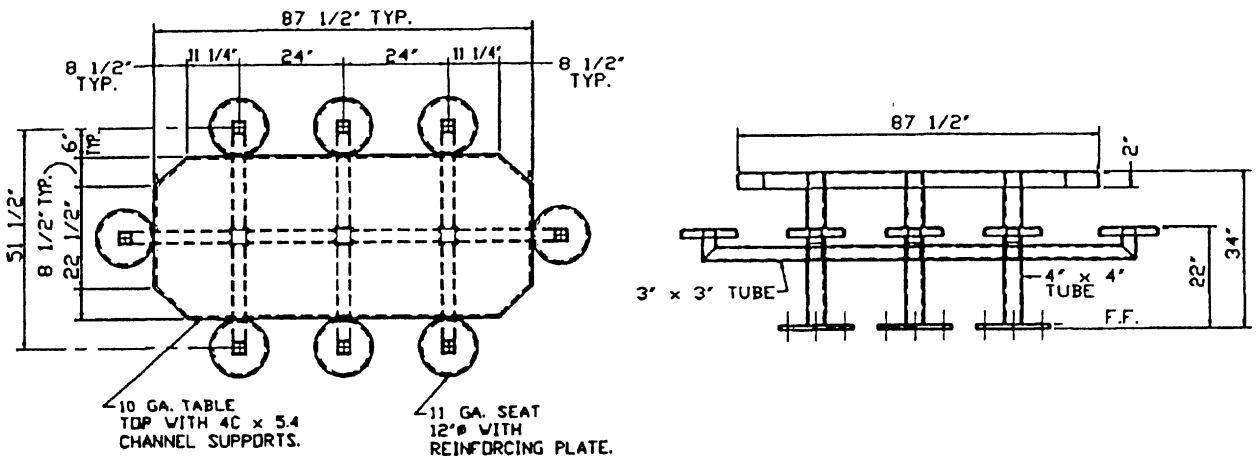
Thick base plate 18 inches square. Two spaced uniformly under top.

Seat supports: 3 inch square steel tubes, welded to table top supports.

Seats: 12 inch diameter, with 1 1/4" return all around.

Fabricated from 11 GA mild steel (s.s. optional).

Base plates 3 inches x 16 inches x 3/8 inch mild steel.



NO. 207 8-MON PEDESTAL TABLE

Table top: 39 1/2 inches wide x 87 1/2 inches long with corners cut and 2 inch return down all 4 sides.

Fabricated from 10 GA mild steel(s.s. optional) reinforced with C4 x 5.4 mild steel channel.

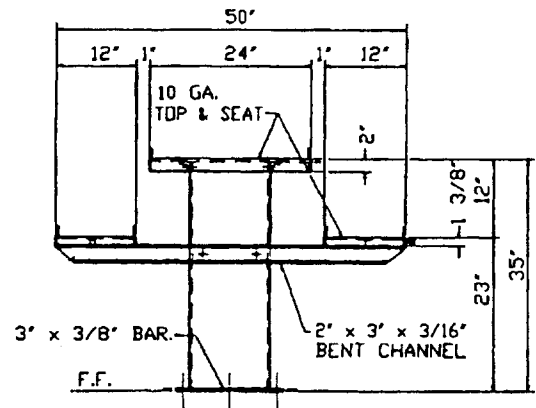
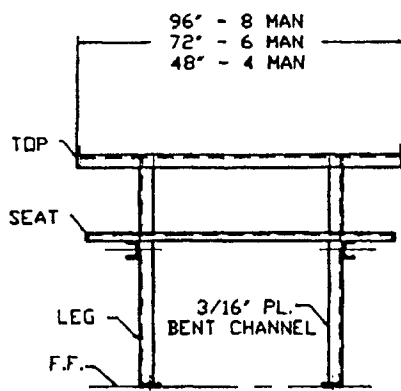
Table top supports: 4 inch square steel tubes, welded to 3/8 inch thick base plate 18 inches square, three spaced uniformly under top.

Seat supports: 3 inch square steel tubes, welded to table top supports.

Seats: 12 inch diameter, with 1 1/4" return all around.

Fabricated from 11 GA mild steel (s.s. optional).

Base plates 3 inches x 16 inches x 3/8-inch mild steel.



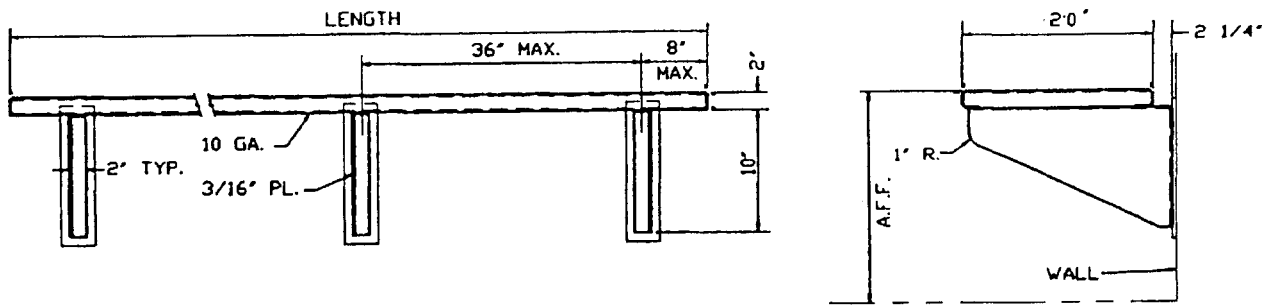
NO. 208 PICNIC TABLE

Table top: 24 inches wide x as shown above with 2 inch return all four sides.

Table top and seats are fabricated from 10 GA mild steel, (s.s. optional)

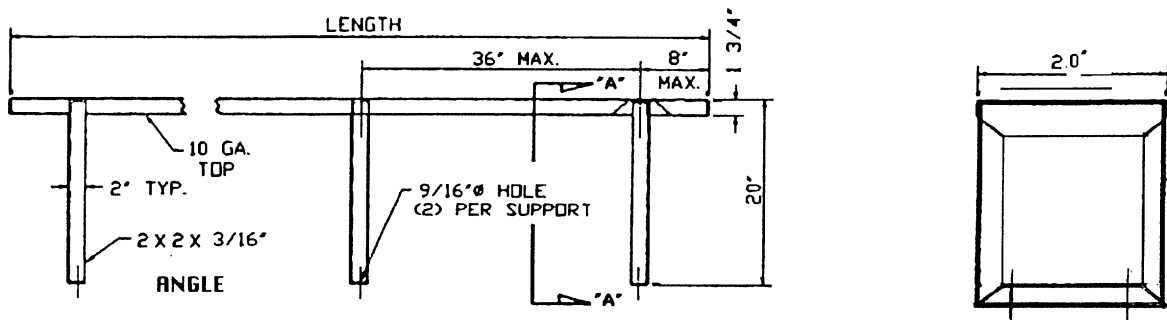
Legs and supports from 7 GA mild steel.

Provided with mounting plates, 2 inch square x 3/16 inch thick securely welded to legs.



NO. 21 WALL MOUNTED BENCH

20 inches wide x length as required, with 2 inch turned down all around.
 Fabricated from 10 GA mild steel(s.s. optional) gussets 7 GA mild steel with 2
 inch flanges, spaced and welded maximum 36 inches o.c.

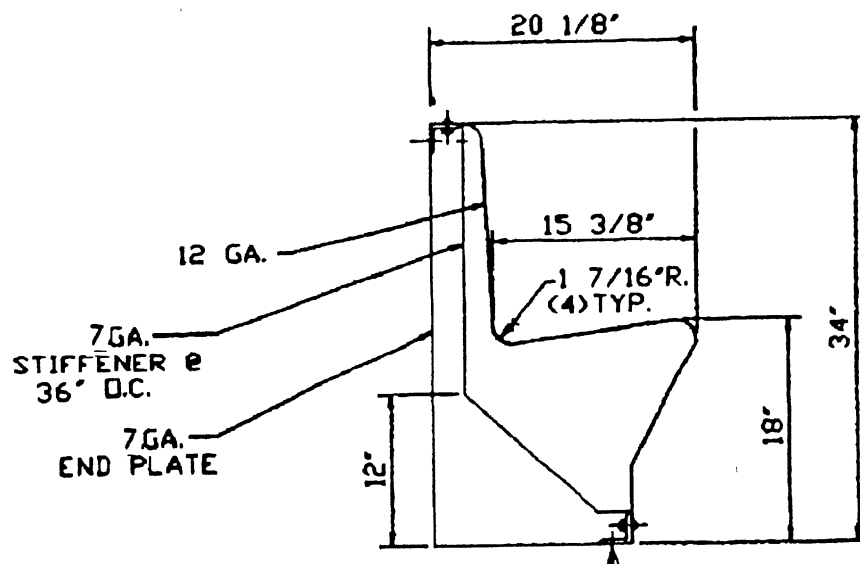


NO. 211 FLOOR MOUNTED BENCH

Size: 20 inches x length as required, with 2 inch turn down all around.

Fabricated from 10 GA mild steel(s.s. optional).

Legs: 2 x 2 x 3/16 angle welded and spaced maximum 36 inch o.c.

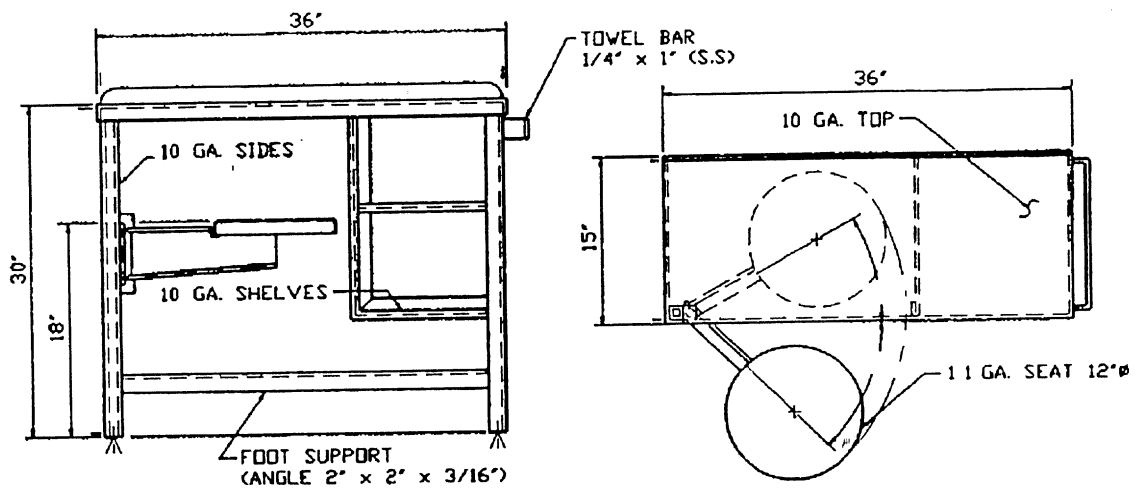


NO. 212 FLOOR MOUNTED CURVED BENCH

Size: 34 inch high back with 18 inch high seat x length as required.

Fabricated from 12 GA mild steel; 7 GA stiffeners at 36 inches.

Maximum o.c.



NO. 215 INSTITUTIONAL DESK WITH SEAT

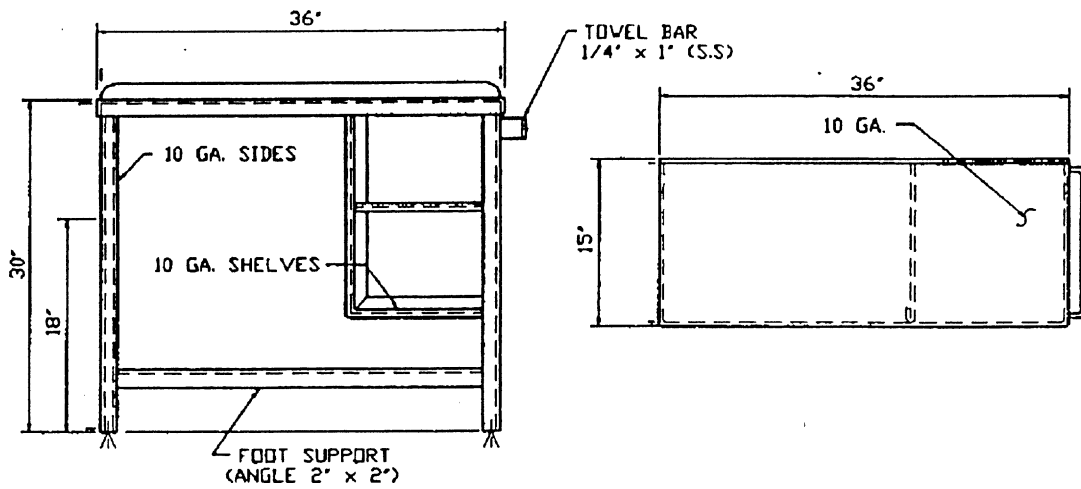
36 inches x 15 inches x 30 inches high, with turn down all around front face.

Top sides, shelves are fabricated from 10 GA mild steel.

Foot rest 2 x 2 angle; towel bar is fabricated from s.s. flat bar 1/4 inch thick x 1 inch wide.

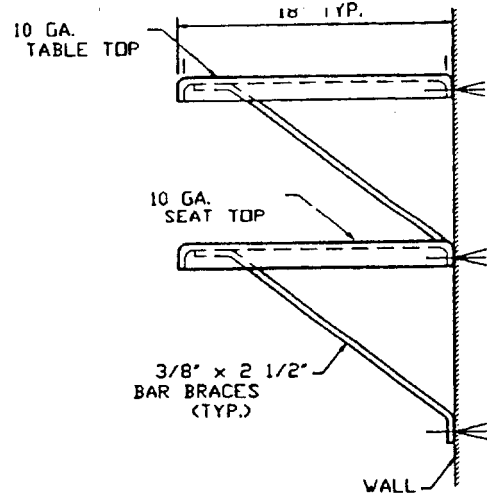
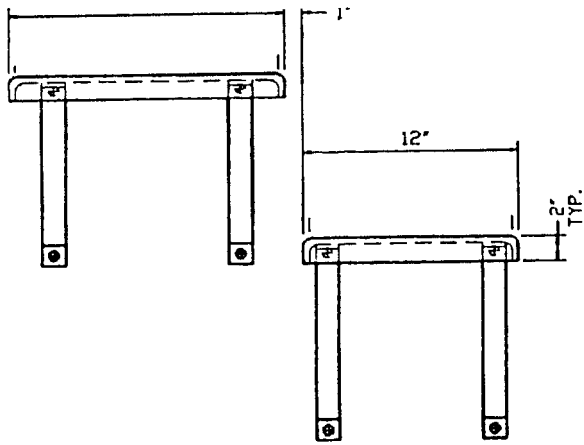
Seat: 12 inch diameter, with 1 1/4 inch turn down all around.

Fabricated from 10 GA mild steel(s.s. optional).



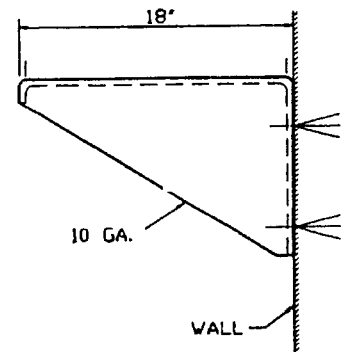
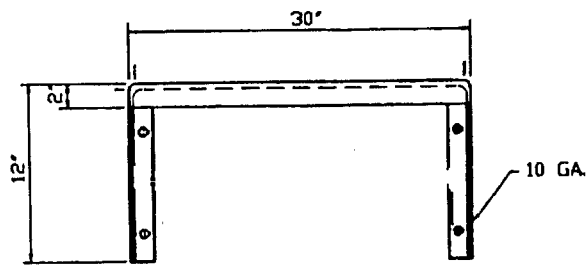
NO. 216 INSTITUTIONAL DESK

36 inches x 15 inches x 30 inches high, with turn down all around front face top, sides, shelves are fabricated from 10 GA mild steel. Foot rest 2 x 2 angle; towel bar is fabricated from s.s. flat bar 1/4 inch thick x 1 inch wide.



NO. 220 WALL MOUNTED TABLE AND SEAT

Table 18 inches square . Seat 12 inches x 18 inches. Both with 2 inch turn down all around fabricated from 10 GA mild steel(s.s. optional) bracing from 3/8 inch x 2 1/2 inch mild steel flat bar, 2 per unit, to be securely welded.

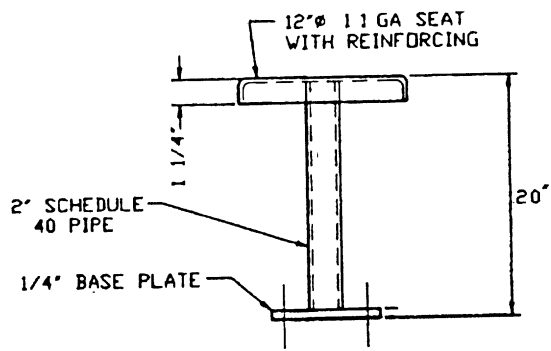
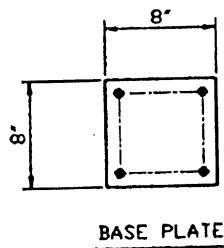


NO. 221 WALL MOUNTED SHELF

Top 30 inches x 18 inches with 12 inch angled gussets.

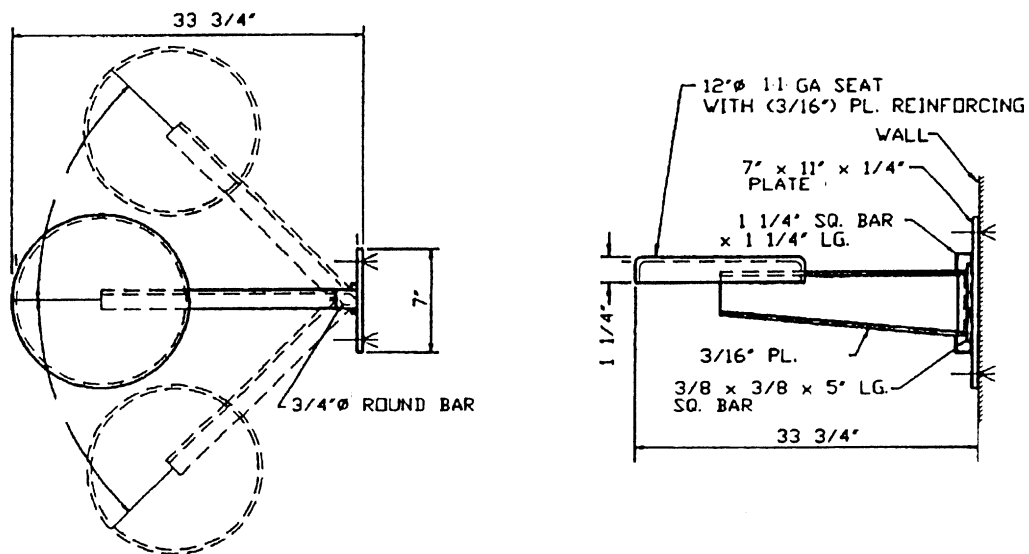
Front of desk turned down 2 inches.

Fabricated from 10 GA mild steel(s.s. optional)



NO. 230 FLOOR MOUNTED STOOL

Seat: 12 inch diameter with 1 1/4 inch turned down all around. Seat is fabricated from 11 GA mild steel(s.s. optional) with 6 inch square 3/16 thick mild steel backplate. Leg: 2 inch schedule 40 pipe support with 8 inch square x 1/4 inch thick base plate.



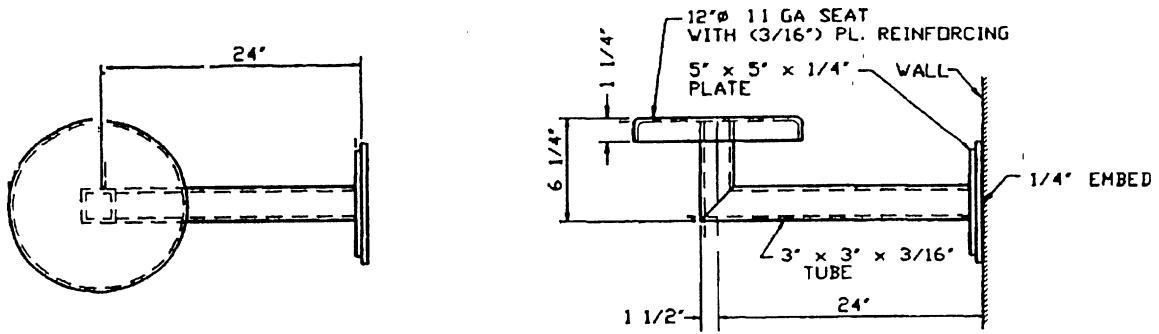
NO. 231 WALL MOUNTED SWIVEL STOOL

Seat: 12 inch diameter, with 1 1/4 inch turned down all around.

Fabricated from 11 GA mild steel (s.s. optional) with a 6 inch square x 3/16 inch thick backplate.

Wall plate: 7 inches x 11 inches x 1/4 inch welded to pivot arm assembly.

Support arm: fabricated from 7 GA mild steel bent plate.

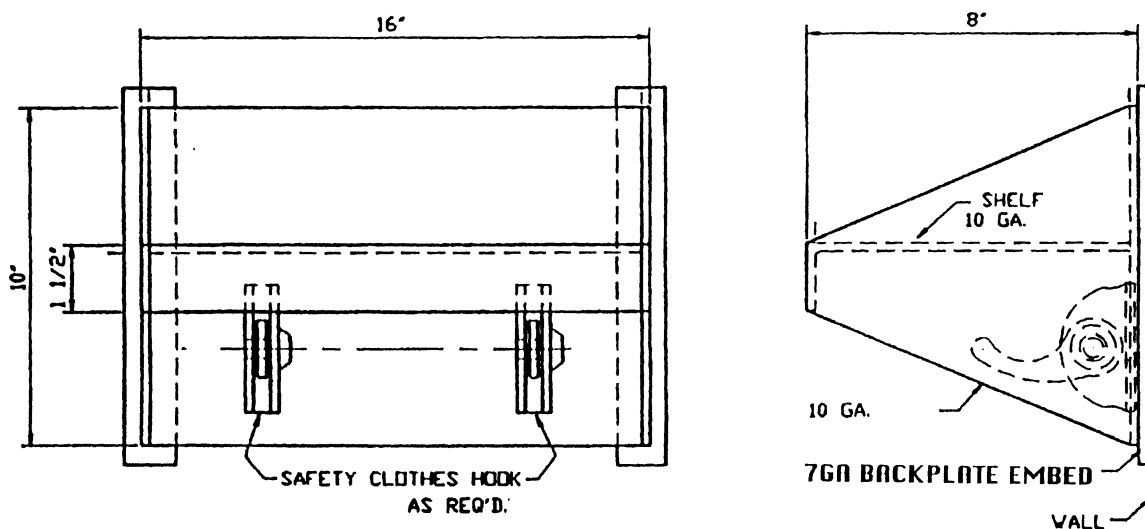


NO. 232 WALL MOUNTED FIXED STOOL

Seat: 12 inch diameter, with 1 1/4 inch turned down all around.

Fabricated from 11 GA mild steel (s.s. optional) with a 6 inch square x 3/16 inch thick backplate.

Wall plate: 5 inch square x 1/4 inch thick welded to 3 inch x 3 inch x 3/16 thick tube support.

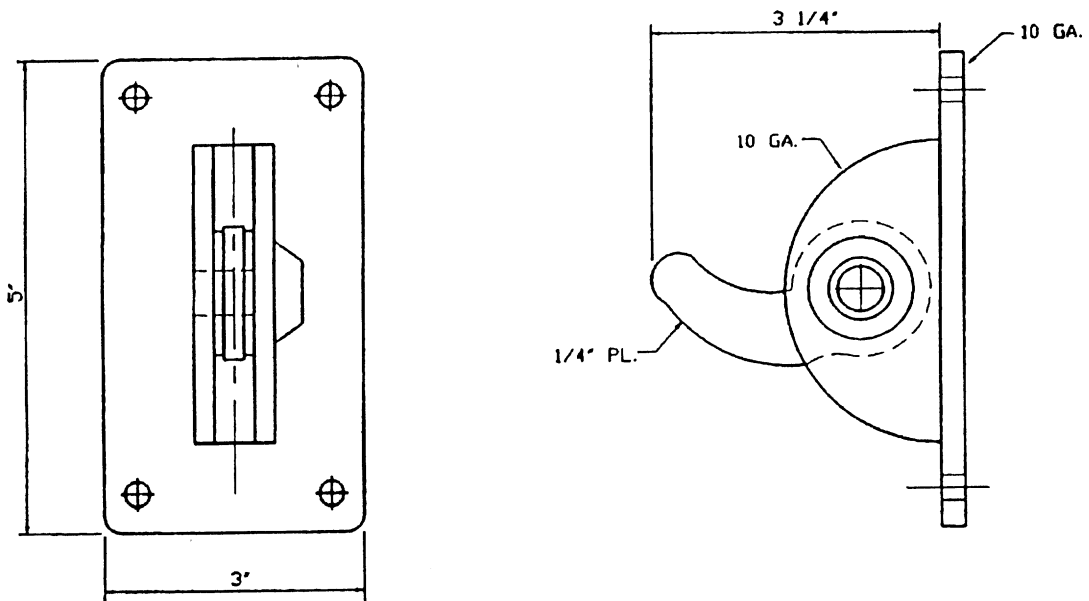


NO. 251 SHELF WITH SAFETY CLOTHES HOOKS

Size: 8 inches x 16 inches, with front shelf turned down 1 1/2 inches.

Fabricated from 10 GA mild steel, welded to 10 inch x 18 inch 7GA backplate embed.

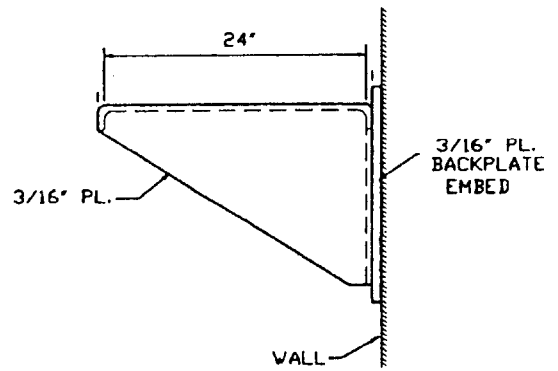
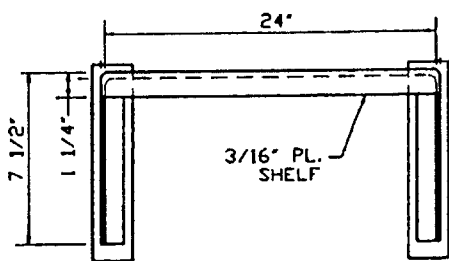
Hooks: quantity as required.



NO. 25Z SAFETY CLOTHES HOOK

Hook: 1/4 inch mild steel hook; housing: 10 GA mild steel, welded to a 3 inch x 5 inch, 10 GA mild steel mounting plate.

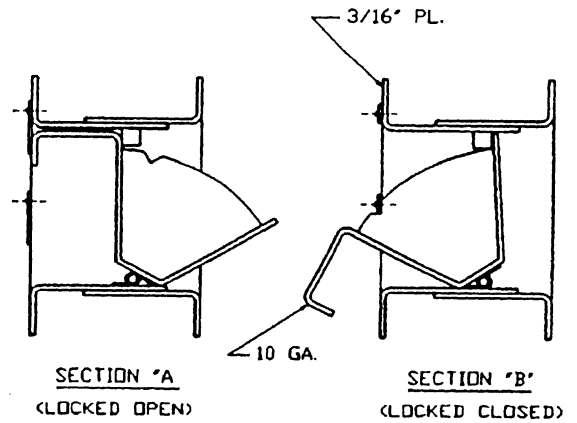
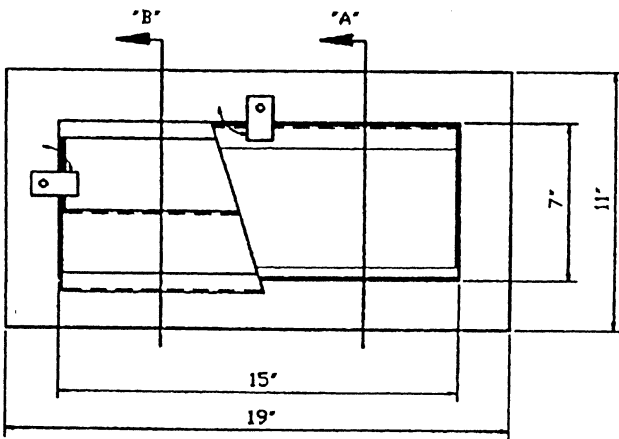
Safety hooks are collapsible with adjustable friction.



NO. 255 WALL MOUNTED T.V. SHELF

24 inches x 24 inches with angled gussets, front of shelf turned 1 1/4 inches.

Fabricated from 7GA mild steel.

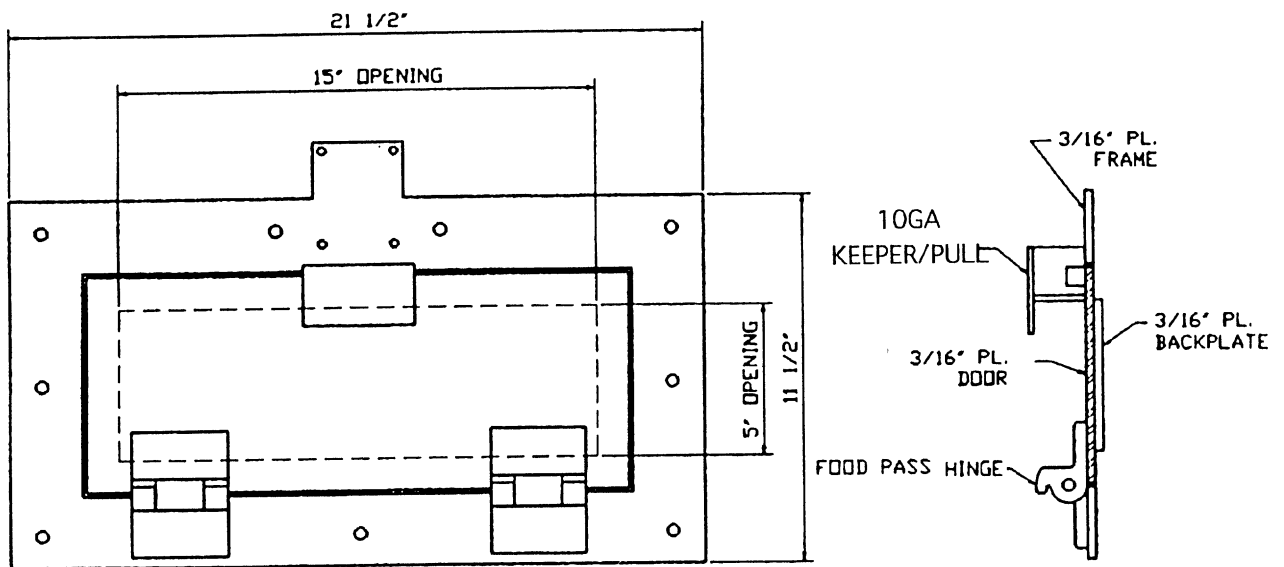


NO.301 PASS THROUGH

Fabricated from 10 GA mild steel hopper with continuous hinge.

Opening: 7 inches x 15 inches wide.

Frame: 3/16 inch thick mild steel adjustable to fit wall thickness.



NO. 302 FOOD PASS

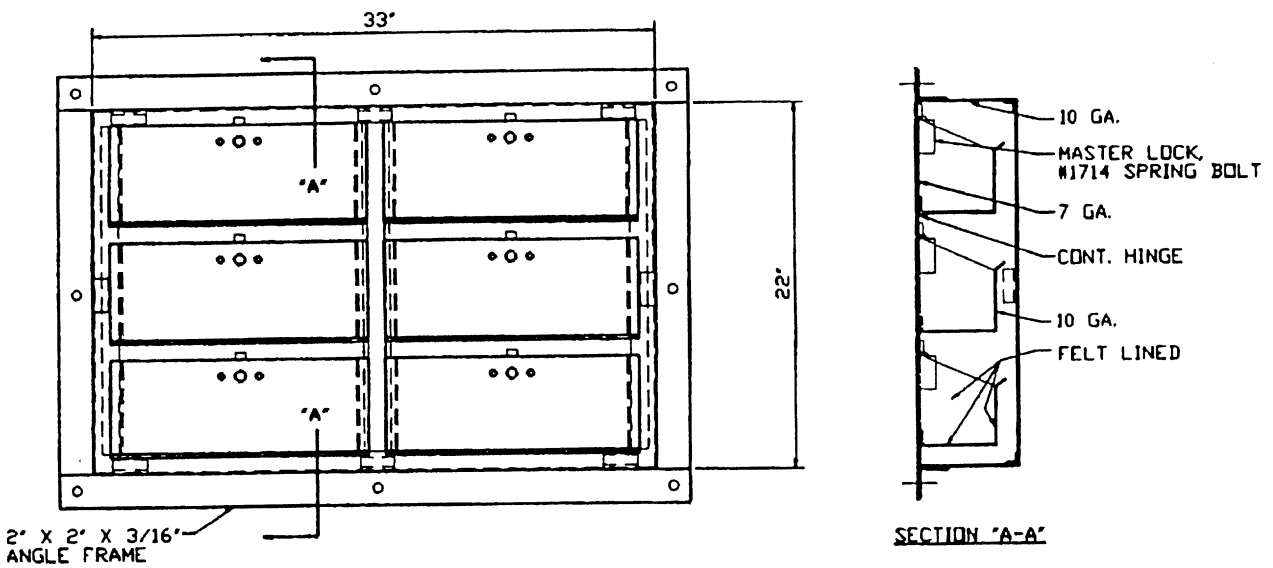
Opening: 5 inches x 15 inches.

Frame: 3/16 inch mild steel.

Door: 3/16 inch mild steel with two #3 hinges.

Backplate: 3/16 inch steel, to fill opening.

Keeper/pull: 10 GA mild steel welded assembly.



NO. 326-6 PISTOL LOCKER (TILT OUT)

Fabricated from 10 GA mild steel.

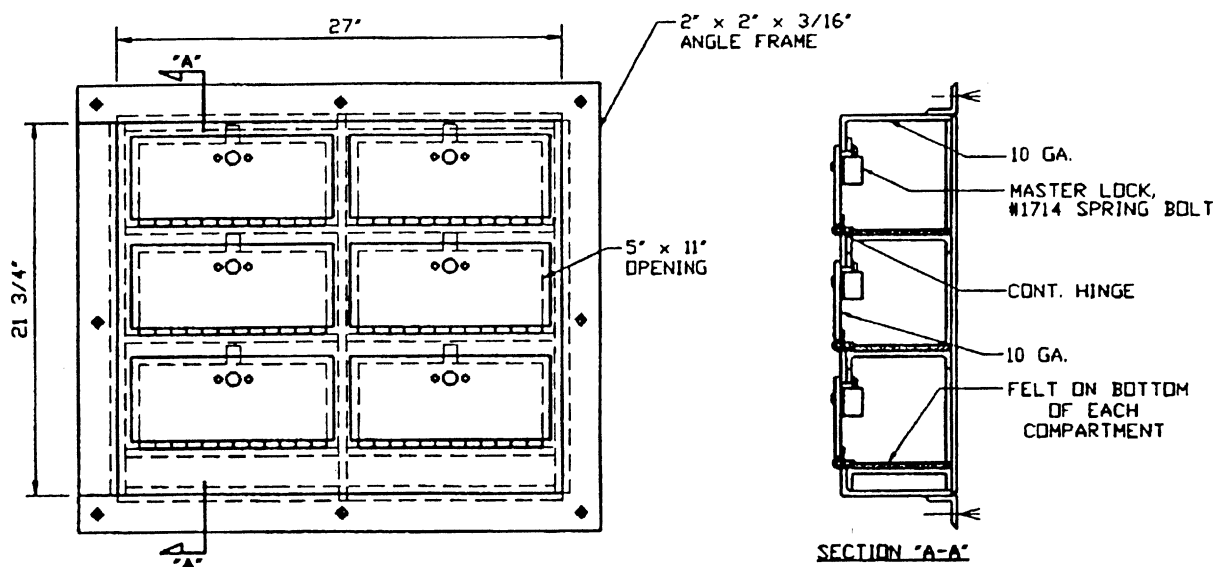
Provided with snap locked, felt lined hoppers, bottom hinged with continuous hinge with non removable pin, tilt out when unlatched.

Hopper: 14 inches wide x 6 inches high x 4 1/2 inches deep.

Locks are individually keyed with master key availability.

Surface mount with anchor bolt.

(recess mount with angle sleeve anchor bolted to wall).



NO. 325-6 PISTOL LOCKER

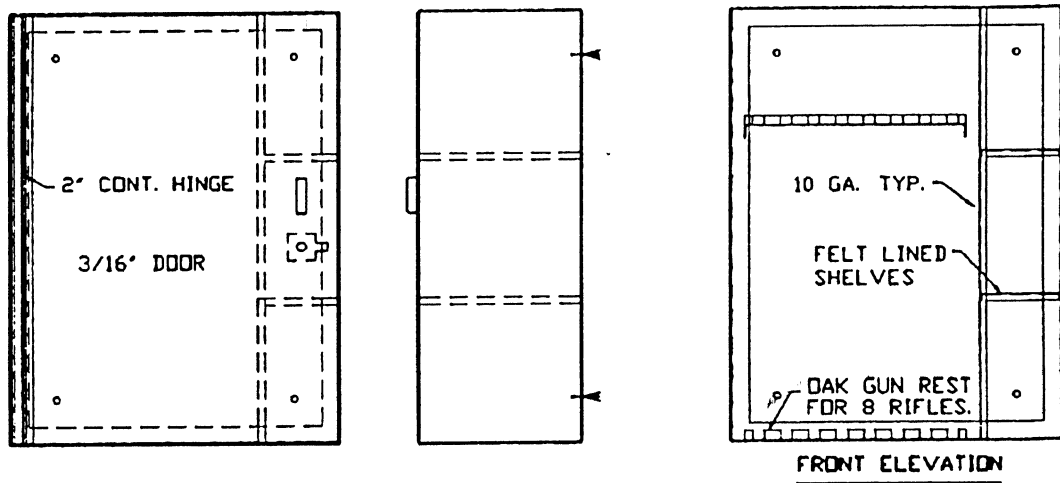
Fabricated from 10 GA mild steel.

Felt lined compartments on bottom.

Locks are individually keyed with master key availability.

Surface mount with anchor bolt.

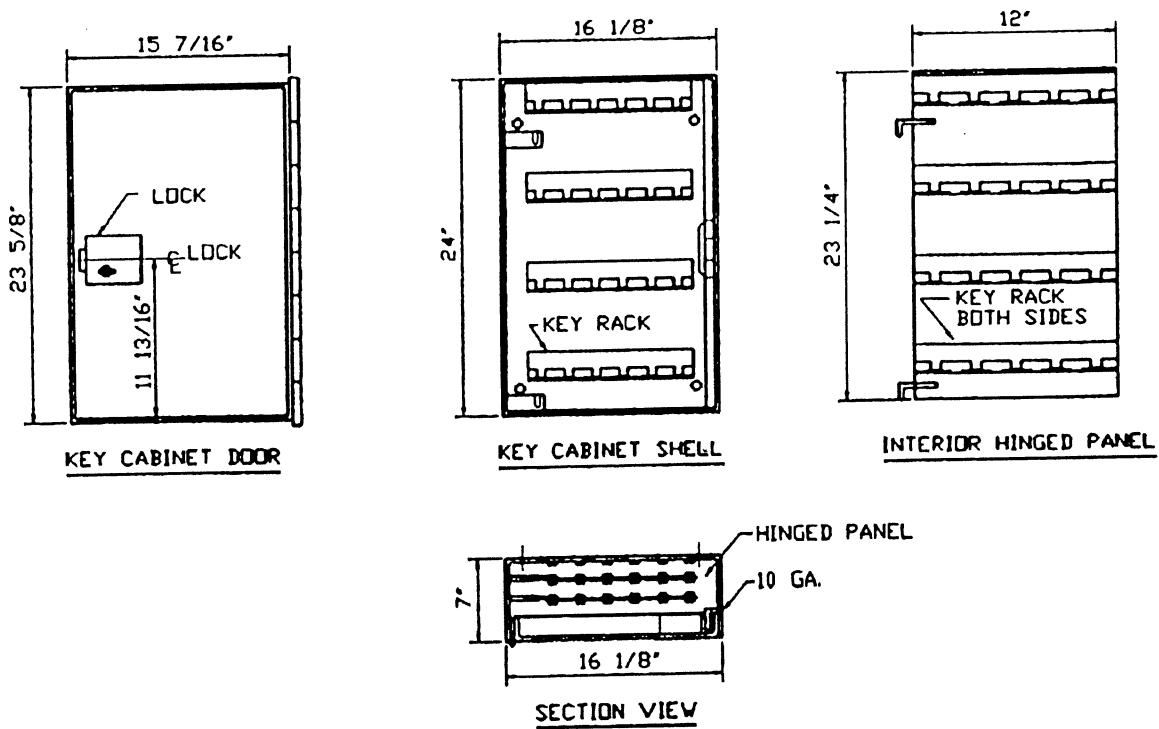
(recess mount with angle sleeve anchor bolted to wall).



NO.350 WEAPONS LOCKER

Fabricated from 3/16 inch mild steel plate exterior, including continuous hinged door. Provided with oak gun rests and felt lined 10 GA. Shelves.

Anchor bolt to wall.



NO. 351 KEY CABINET

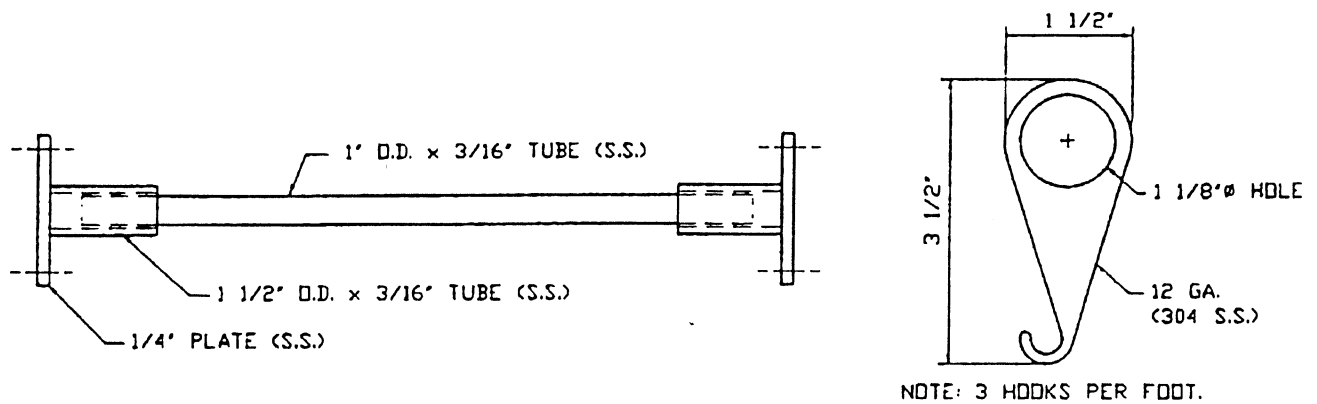
Fabricated from 10 GA mild steel.

Size: 16 inches wide x 24 inches high x 7 inches deep.

Door installed with continuous hinge with non removable pin.

Capacity: (60), (180), (300) keys.

Anchor bolt to wall.



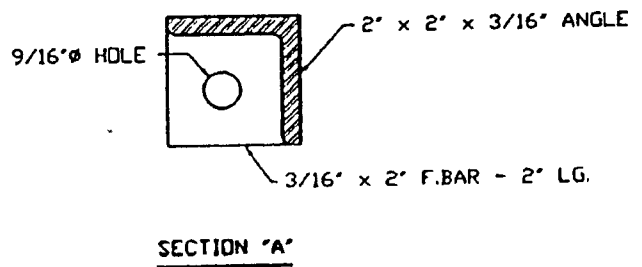
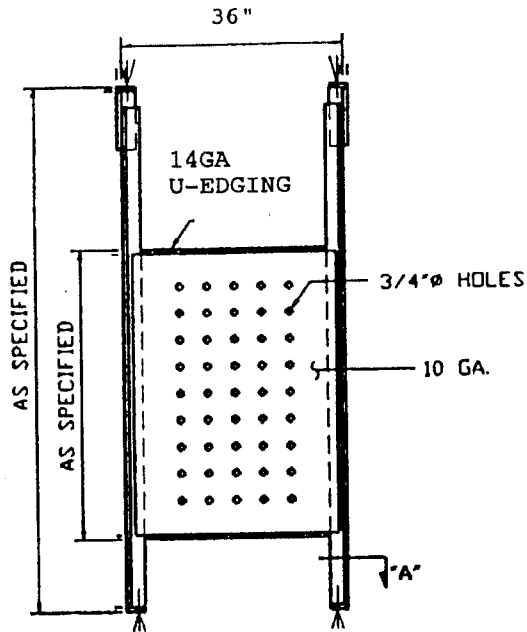
NO. 382 SHOWER CURTAIN ROD AND HOOKS

Length: as required.

Rod: one inch diameter x 3/16 inch thick wall stainless steel tube.

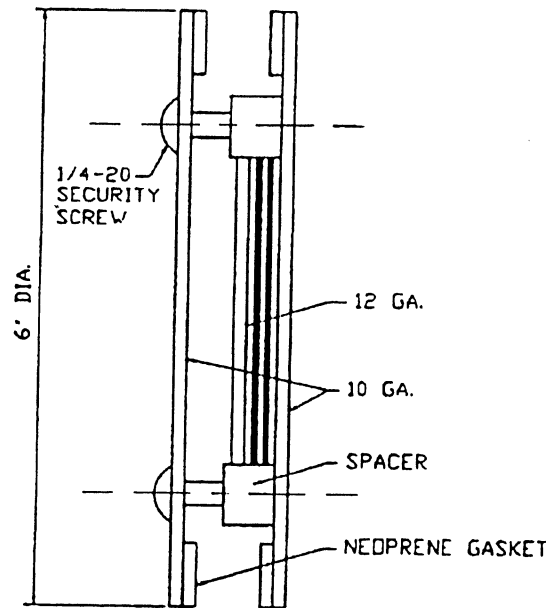
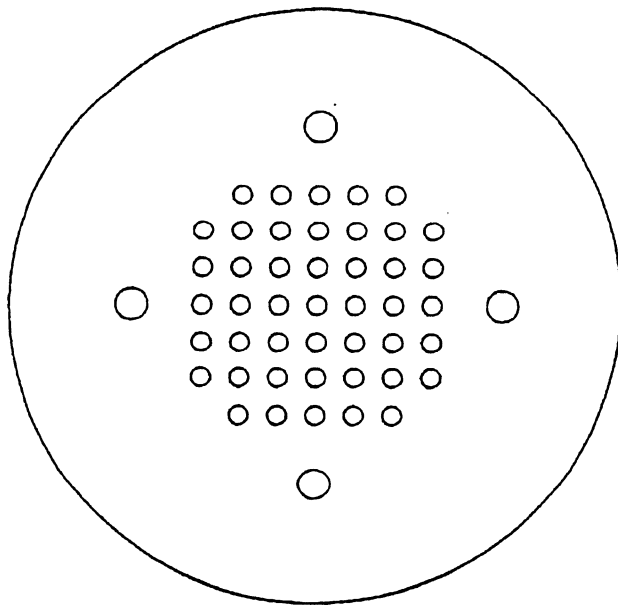
Hooks: 12 GA stainless steel.

Provided with (2) 5/16 inch diameter holes at each end for anchors.



NO. 3BI PRIVACY SCREEN

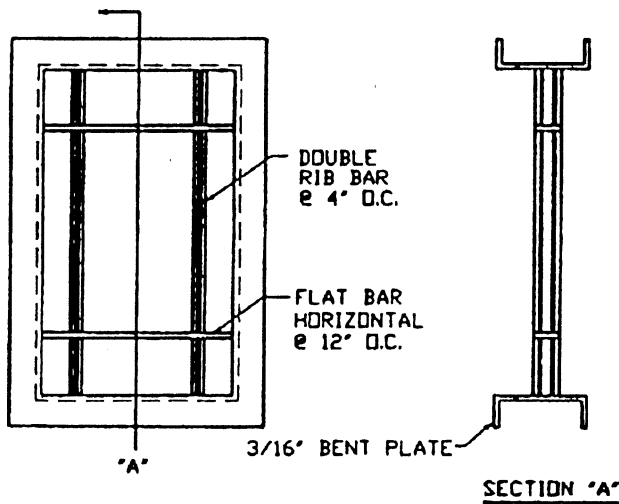
Size: as shown above fabricated from 10 GA mild steel perforated plate 6 inches on center (solid plate is optional), stiffened top and bottom with 14 GA u-edging. Vertical supports: 2 x 2 x 3/16 inch angle with floor plate. Installation by bolting to floor and ceiling.



N10. 371 SPEAKING DEVICE

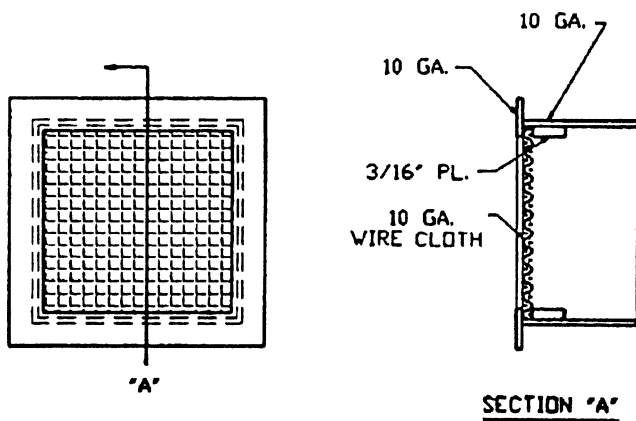
Size: 6 inch diameter.

Fabricated from 10 GA stainless steel, 6 inch diameter cover plate with each side perforated with 3/8 inch holes. 12 GA plate 2 7/8 inch diameter baffle and stainless steel wire cloth. Screens are attached to spacer bar between the face plates. Neoprene gasket will be applied to the inside of the face plates and provided with security screws.



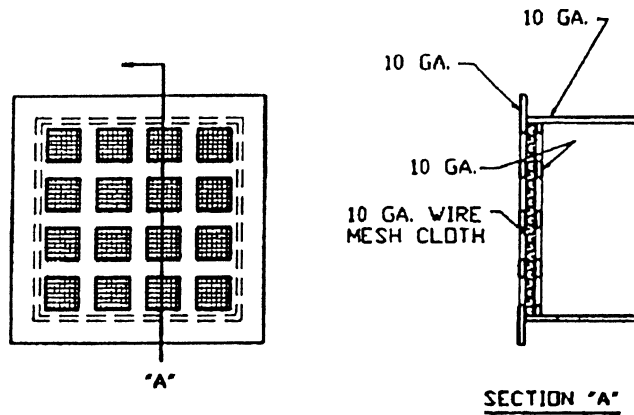
NO. 401 MECHANICAL GRILLE

Grilles are fabricated from 7/8 inch diameter double ribbed mild steel bars spaced on 4 inch centers. (tool resistant is optional) intermediate members are mild steel flat bars spaced 12 inches on centers. Frame is fabricated from 3/16 bent plate.



NO. 402 SECURITY MESH VENT

Fabricated from 10 GA mild steel face plate and 10 GA wire cloth securely welded to face plate 10 GA mild steel sleeve is optional to fit pre-existing penetration.



NO. 403 PLATE AND MESH VENT

Fabricated from 10 GA perforated face plate. The holes are 2 inches square 2 1/2 inches, on center.

10 GA wire cloth is securely welded to face plate.

A perforated 10 GA back plate will be welded as shown.

10 GA mild steel sleeve is optional; to fit pre-existing penetration.